

Housing Material: 1.4571

Nominal diameter: DN15, DN20, DN25

Connections:

- Flanges DN 15-25, acc. DIN EN 1092-1, PN40
- Flanges 1/2"-1", acc. ANSI B 16.5, Class 150 & 300
- Female thread G 1/2"-3/4" (BSP) acc. DIN ISO 228-1
- Female thread 1/2"-3/4" NPT acc. ANSI B 1.20.1
- Butt weld acc. DN 15-25 acc. DIN EN 12627 and ANSI B 16.25
- Socket weld DN 15-25 acc. DIN EN 12760 and ANSI B 16.11

Nominal pressure stage PN 40

Funktion-limit:

Max. operating pressure (bar g)	40	37,3	33,3
Max. operating temperature (°C)	100	200	300

higher temperatures on request

Media: Steam/-condensate.

Not applicable for media of fluid group 1.

Funktion: A special liquid contained within the capsule types evaporates or condenses due to changes in temperature. The operating temperature is only 10°C below the boiling point of water. When the temperature rises, the liquid evaporates and the valve closes when the temperature drops, the liquid condenses and the valve opens.

Special characteristics: Due to the very slight temperature drop, accumulation of the condensate is reduced. The capsule reacts to temperature changes immediately. This system ensures prevention of losses in live and control steam and is insensitive to waterhammer.

Installation: horizontal or vertical

Control: Pressure limit for operation PMO= 22 bar

As option at additional charge:

- integrated check valve
- Capsule approx. 5 Kelvin condensate undercooling
- Capsule approx. 30 Kelvin condensate undercooling

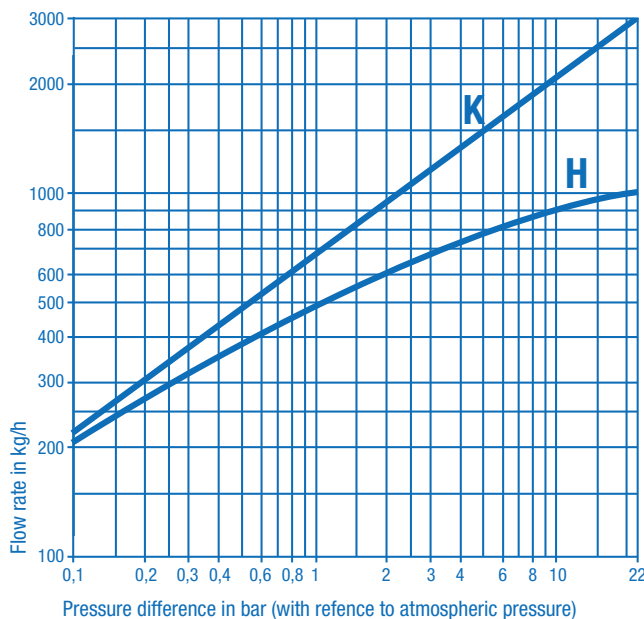
CE - Mark:

The pressure equipment described is a pressure-keeping component in accordance with the Pressure Vessel Directive 2014/68/EU of DN15-25; acc. art.4, subs.3, no CE-mark.

DN40/50: Conformity through the ident. mark CE 0525.

Please state the following when making inquiries / placing orders: Medium, density, initial pressure, counter pressure, temperature, quantity of condensation (kg/h).

Performance



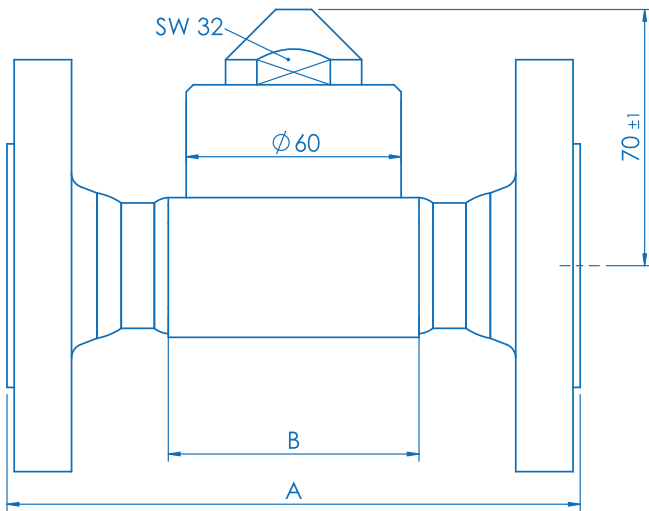
The diagram shows the flow rate of cold condensate (K) and hot condensate (H) in kg/h, with the standard capsule type S, approx. 10°C undercooling.



Installation Dimensions

10203-N

PN 40

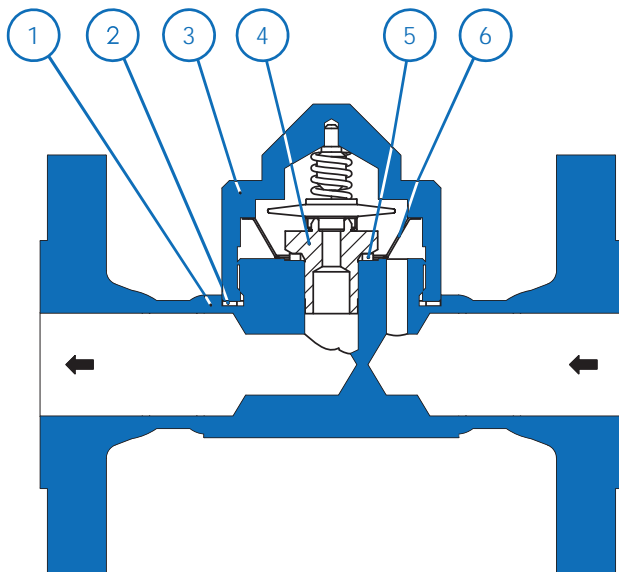


Dimensions (in mm), Weight (in kg)

Connection	Thread	Flanges		
	1/2"-3/4"	DN 15	DN 20	DN 25
A		150	150	160
B	70			

Versions for butt weld, socket weld and ANSI-connections on request.

Spare Parts



1 **Housing:** 1.4571

2 **Housing gasket:** Novaphite

3 **Upper housing:** 1.4571

4 **Complete valve unit:** 1.4571, 2.4610 & 1.4310

5 **Valve body gasket*:** 1.4571

6 **Strainer:** Stainless steel

* Due to functions requirements, marked items cannot be supplied as individual parts.

To ensure correct parts delivery, specify part number and works standard sheet number 10203-N.