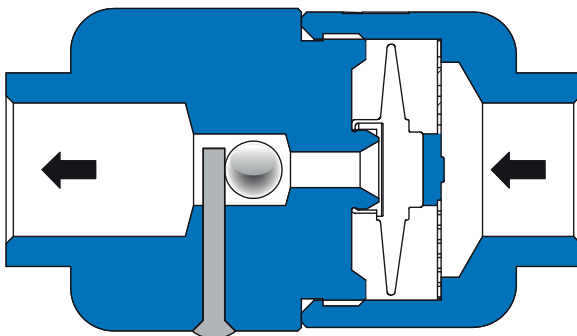


Model 10201



Model 10201R

Housing Material: 1.4104

Nominal diameter: DN15, DN20, DN25

Connections:

- Female thread G 1/4"-1" (BSP) acc. DIN ISO 228-1
- BSPT, NPT thread or other connections on request

Nominal pressure stage: PN 40

Working media: Steam and condensate.
Not applicable for media of fluid group 1.

Function: A special liquid contained within the capsule evaporates or condenses due to changes in temperature. The operating temperature is only appr. 10 °C below the boiling point of water. When the temperature rises, the liquid evaporates and closes the valve. When the temperature drops, the liquid condenses and opens the valve.

Special characteristics:

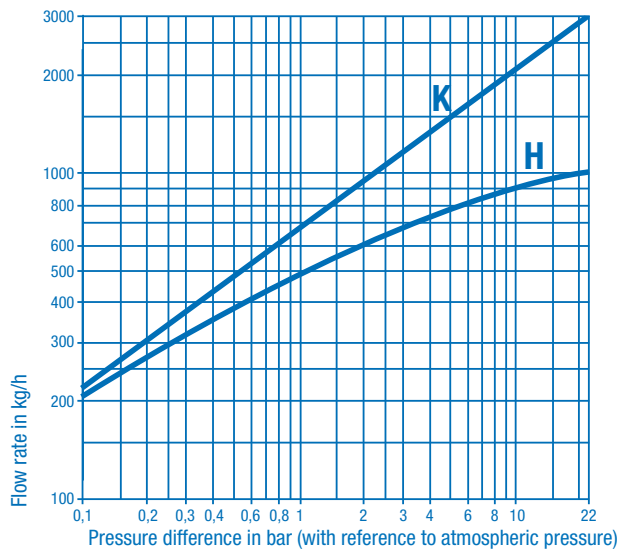
Due to the very slight temperature drop, accumulation of the condensate is reduced. The capsule reacts to temperature changes immediately. This system ensures prevention of losses in live and control steam and is insensitive to waterhammer.

For model 10201R: The extra ball is used as check valve.

Installation: Horizontal or vertical

As option at additional charge:

- Capsule model H with approx. 5 Kelvin condensate undercooling
- Capsule model L with approx. 30 Kelvin condensate undercooling

Performance:


The above diagram shows flow rates of cold condensate (K) and hot condensate (H) when using a standard capsule type s with approx. 10°C undercooling.

Operation limits:

Max. working pressure (bar g)	40	28
Max. working temperature (°C)	-10/20	300

Control unit: Pressure limit for operating PMO = 22bar

CE - mark:

The pressure equipment described is a pressure-keeping component in accordance with the Pressure Vessel Directive 2014/68/EU article 4, subs. 3 and bears no CE-mark.

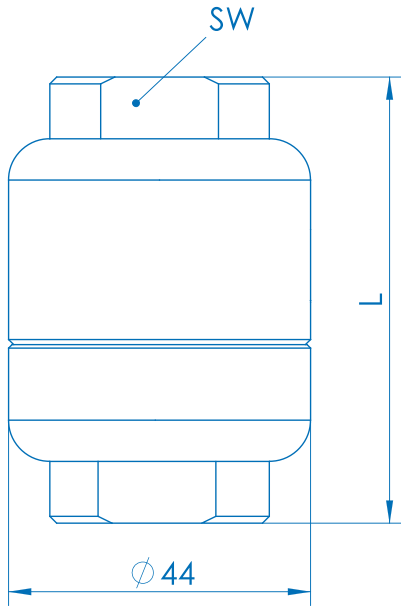
Please state the following when making inquiries / placing orders: Medium, density, initial pressure, counter pressure, temperature, quantity of condensation (kg/h).



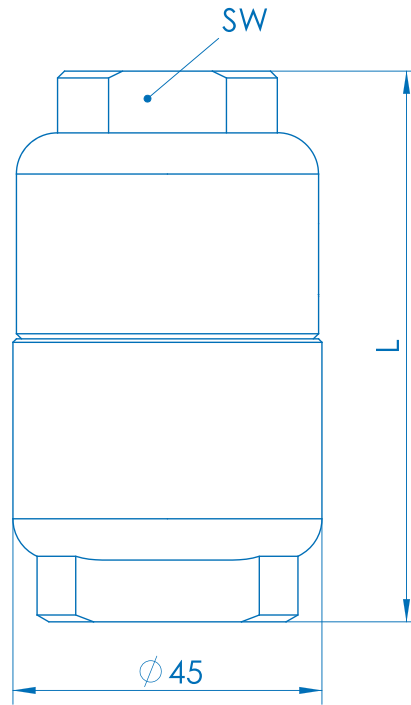
Installation Dimensions

10201-10201R

PN 40



Model 10201



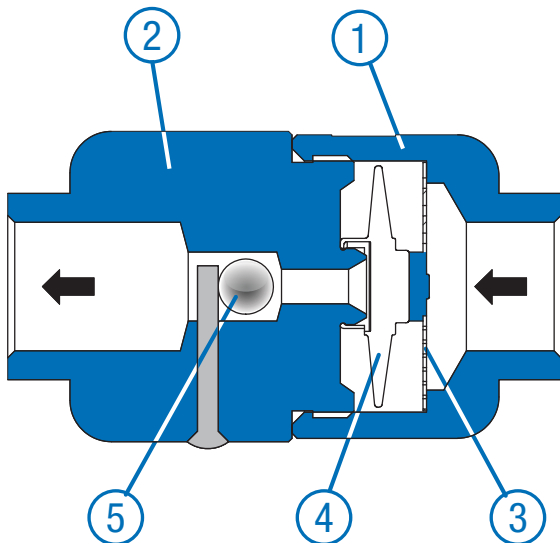
Model 10201-R

Dimensions (in mm), Weight (in kg)

Type	10201					10201-R		
	1/4"	3/8"	1/2"	3/4"	1"	1/4"	3/8"	1/2"
Connection (BSP)	1/4"	3/8"	1/2"	3/4"	1"	1/4"	3/8"	1/2"
Length (L)	65	65	65	65	70	80	80	80
Wrench Size (SW)	27	27	27	32	36	27	27	27
Weight	0,5	0,48	0,46	0,44	0,44	0,75	0,73	0,70

NPT / BSPT and other connections on request

Part List



- 1 Inlet housing: 1.4104
- 2 Outlet housing: 1.4104
- 3 Strainer: 1.4301 / 1.4571
- 4 Capsule: SS / 2.4610
- 5 Ball: 1.4034

To ensure correct parts delivery, specify works standard sheet number 10201 / 10201-R and the connection.